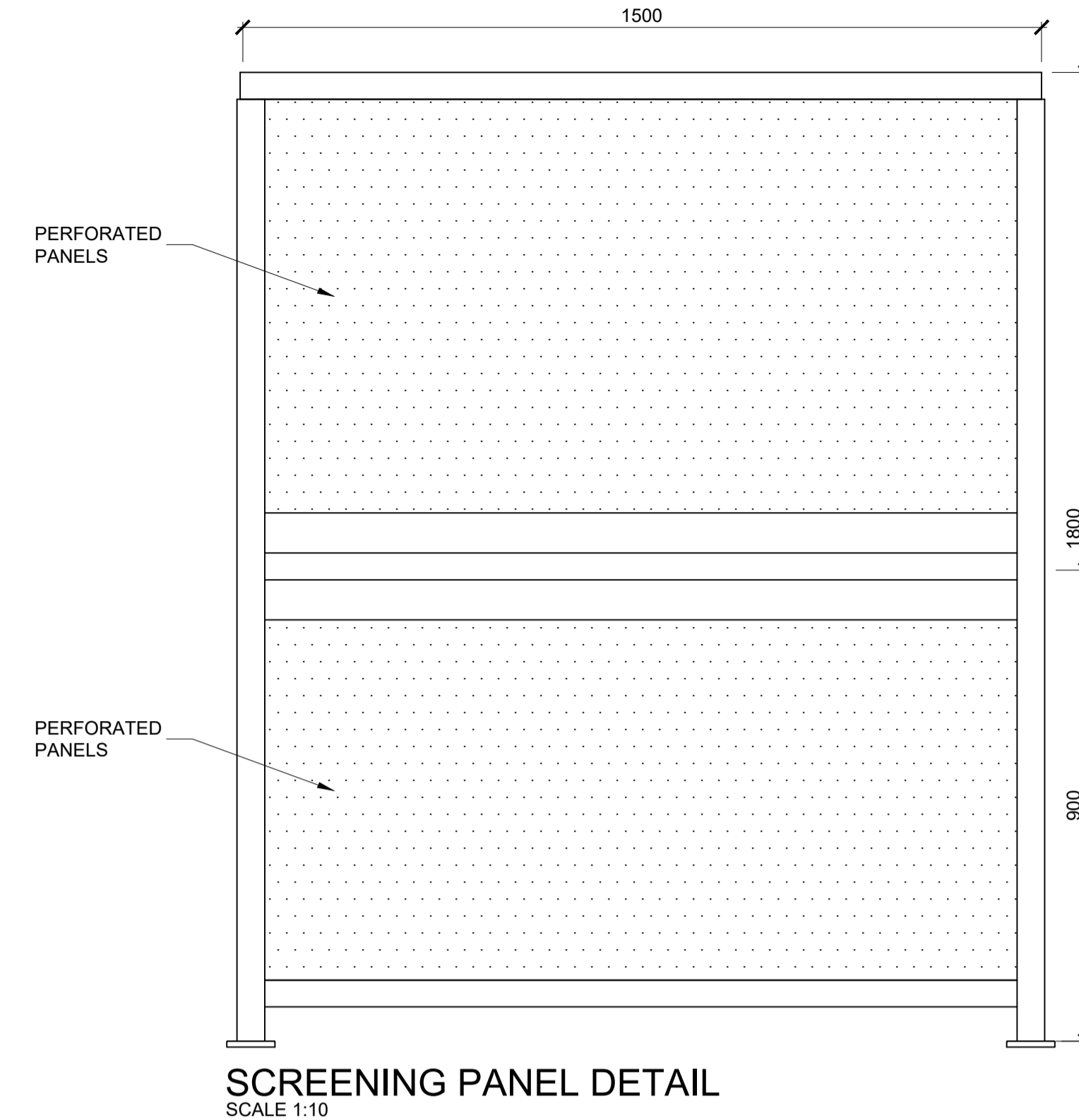
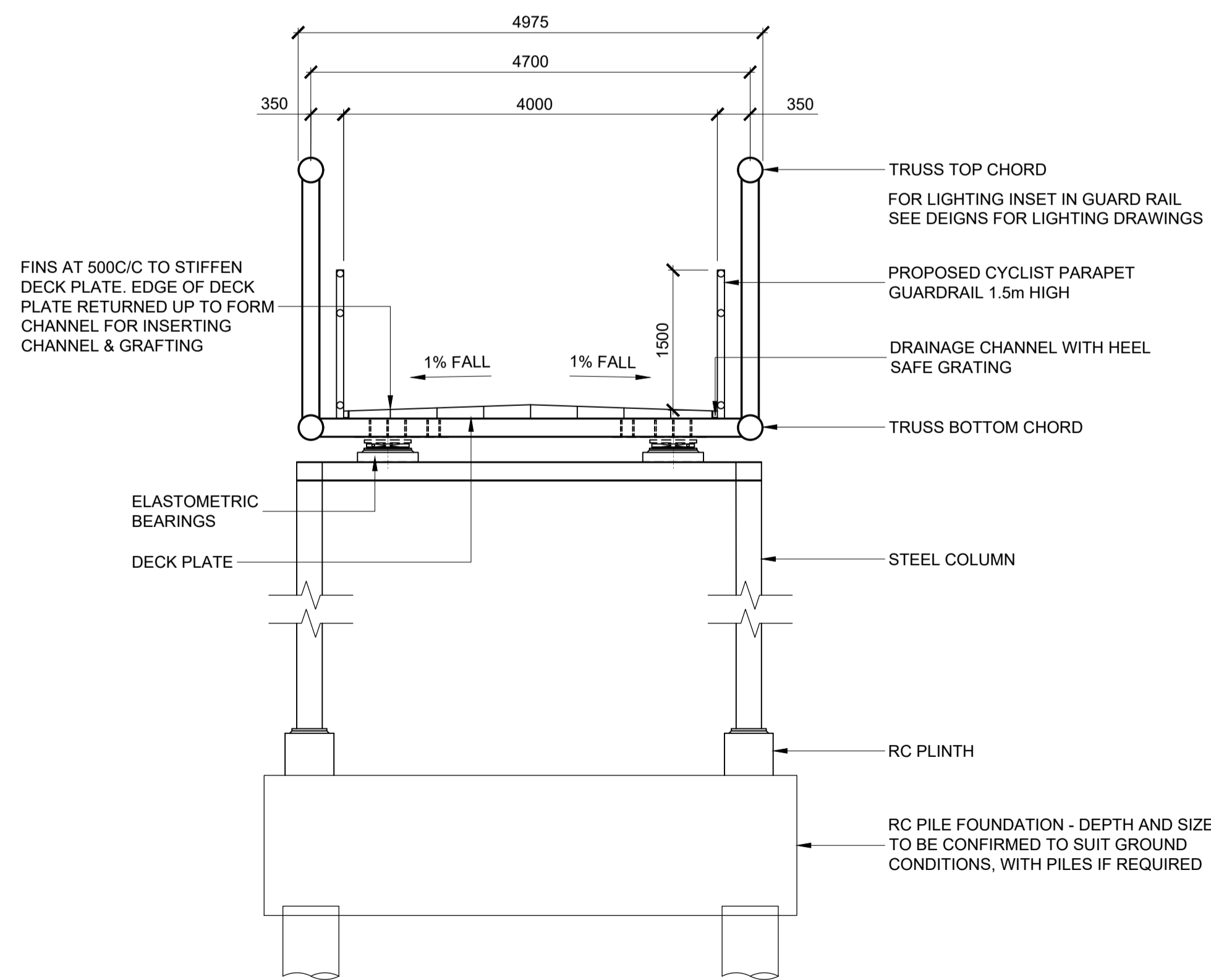


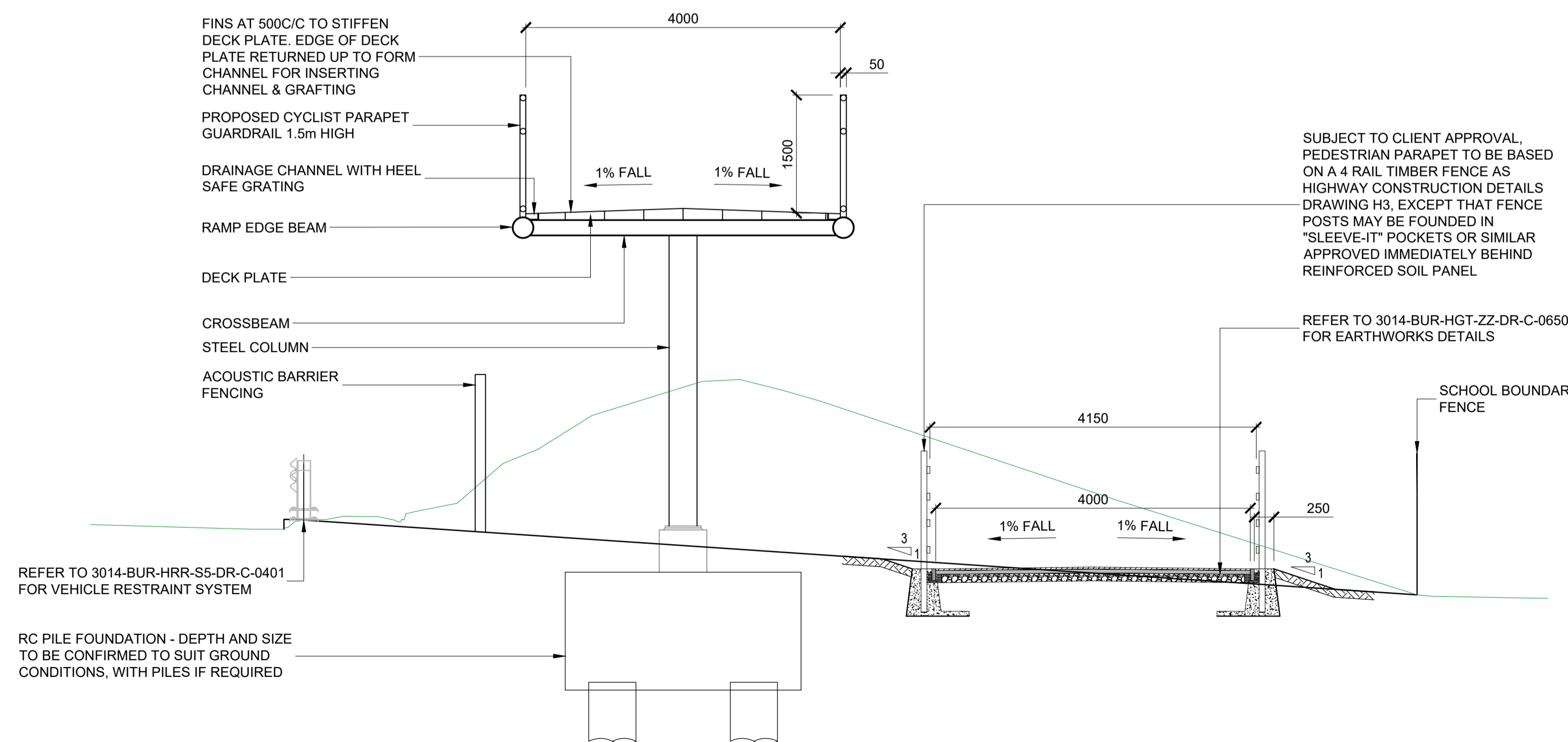
ELEVATION A ON SCHEME 5 BRIDGE  
SCALE 1:50



TYPICAL SECTION SIZES	
COLUMNS	CHS 273 x 10
LONGITUDINAL MEMBERS	CHS 273 x 10
TRANSVERSE BEAMS	UB 254 x 146 x 37
TRUSS CHORDS	CHS 273 x 10
TRUSS INTERNALS	CHS 114.3 x 5



SECTION A - A (THROUGH MAINSPAN AT SUPPORTS)  
SCALE 1:50



SECTION B - B  
SCALE 1:50

- DRAWING NOTES:
- FOR GENERAL ARRANGEMENT, REFER TO 3014-BUR-SBR-S5-DR-S-1701.
  - FOR LONGSECTION, REFER TO 3014-BUR-SBR-S5-DR-S-1720.

ALL CIVIL DIMENSIONS ARE IN METRES - ALL STRUCTURAL DIMENSIONS ARE IN MILLIMETRES - ALL LEVELS ARE IN METRES.

Approved By: MCGORRY Date: 30/09/2021  
Checked By: MCGORRY Date: 30/09/2021  
Drawn By: C. WYBES Date: 18/09/2021  
Designed By: J. EVANS Date: 18/09/2021

REV.	DESCRIPTION	DATE	DRW.	CHK.
S4-P5.0	ISSUED FOR PLANNING APPROVAL	14/01/2021	IQ	MG
S4-P4.0	BRIDGE DETAIL UPDATED	12/11/21	IQ	MG
S4-P3.0	BRIDGE STRUCTURE UPDATED	30/07/21	TP	MG
S4-P2.0	ISSUED FOR APPROVAL	05/07/21	CM	MG
S3-P1.0	ORIGINAL ISSUE	30/09/21	CM	MG

Drawing Title: SERIES 1700 - BRIDGES  
PROPOSED BRIDGE SECTIONS

Burroughs Project No.: 43014-02 Scale: AS SHOWN Original Paper Size: A1

Drawing Number: 3014-BUR-SBR-S5-DR-S-1721

Status: S4 - FOR STAGE APPROVAL

Revision: P5.0 - ISSUED FOR PLANNING APPROVAL

This document is copyright of Burroughs Ltd. Use figured measurements only! DO NOT SCALE FROM DRAWING. Verify all dimensions prior to construction. Immediately report any discrepancies to Burroughs and if in doubt ASK. This drawing should be read in conjunction with all other associated project information.